

**ST60 Wind &  
Close Hauled  
Wind  
Instrument  
Owner's  
Handbook**

Document number: 81105-4

Date: 1 April 2004



# Preface

## Important information

### Safety notices



**WARNING: Product installation & operation**

**This equipment must be installed and operated in accordance with the Raymarine instructions provided. Failure to do so could result in personal injury, damage to your boat and/or poor product performance.**



**WARNING: Electrical safety**

**Make sure you have switched off the power supply before you start installing this product.**



**WARNING:**

**Although we have designed this product to be accurate and reliable, many factors can affect its performance. Therefore, it should serve only as an aid to navigation and should never replace commonsense and navigational judgement. Always maintain a permanent watch so you can respond to situations as they develop.**

### EMC conformance

All Raymarine equipment and accessories are designed to the best industry standards for use in the recreational marine environment.

The design and manufacture of Raymarine equipment and accessories conform to the appropriate Electromagnetic Compatibility (EMC) standards, but correct installation is required to ensure that performance is not compromised.

### Handbook information

To the best of our knowledge, the information in this handbook was correct when it went to press. However, Raymarine cannot accept liability for any inaccuracies or omissions it may contain.

In addition, our policy of continuous product improvement may change specifications without notice. Therefore, Raymarine cannot accept liability for any differences between the product and the handbook.



# Contents

<b>Preface</b> .....	<b>i</b>
Important information .....	i
Safety notices .....	i
EMC conformance .....	i
Handbook information .....	i
Contents .....	iii
Introduction .....	vii
ST60 Wind .....	vii
ST60 Close Hauled Wind .....	viii
Data inputs .....	viii
SeaTalk .....	viii
Stand alone operation .....	viii
Remote control .....	viii
Mounting options .....	ix
Parts supplied .....	ix
<b>Chapter 1: Operation</b> .....	<b>1</b>
1.1 Getting started .....	1
Displayed information .....	1
Pointer .....	1
Digital display .....	2
1.2 Normal operation .....	2
True/Apparent .....	4
VMG .....	4
Tack .....	4
Alarms .....	4
Canceling an alarm .....	4
Setting alarm conditions .....	5
Switching alarms on and off .....	5
Setting alarm thresholds .....	5
1.3 Display illumination .....	6
1.4 Remote control .....	6
<b>Chapter 2: Maintenance &amp; Troubleshooting</b> .....	<b>7</b>
2.1 Maintenance .....	7
Servicing and safety .....	7
Instrument .....	7
Transducer .....	7
Cabling .....	8

2.2	Troubleshooting .....	8
	Preliminary procedures .....	8
	Fixing faults .....	8
	Technical support .....	9
	World wide web .....	9
	Telephone help line .....	9
	Help us to help you .....	9
<b>Chapter 3:</b>	<b>Installation .....</b>	<b>11</b>
3.1	Planning your installation .....	11
	Site requirements .....	11
	Transducers .....	11
	Instrument .....	12
	EMC installation guidelines .....	13
	Suppression Ferrites .....	14
	Connections to Other Equipment .....	14
3.2	Procedure .....	14
	Unpacking .....	14
	Fitting the instruments .....	15
	Surface mounting .....	15
	Flush mounting .....	16
	Fitting the low-profile bezel .....	16
	Flush mounting procedure .....	17
	Bracket Mounting .....	18
	Fitting transducers .....	19
	Typical windvane installation .....	19
	Rotavecta .....	21
	Running transducer cable .....	22
	General .....	22
	From masthead .....	23
	Connecting the instruments .....	24
	Types of connection .....	24
	Signal connections .....	24
	Power supply connections .....	25
	SeaTalk systems .....	25
	Stand alone instruments .....	26
<b>Chapter 4:</b>	<b>Calibration .....</b>	<b>27</b>
4.1	Introduction .....	27
	EMC conformance .....	27
4.2	User calibration .....	27
	Linearizing and aligning the wind transducer .....	27
	Leaving User calibration .....	28

---

4.3	Intermediate calibration .....	29
	Leaving Intermediate calibration .....	29
4.4	Dealer calibration .....	29
	User calibration on/off .....	30
	Response settings .....	30
	Wind speed .....	30
	Boat show mode .....	33
	Factory defaults .....	33
	Leaving Dealer calibration .....	33





## Introduction

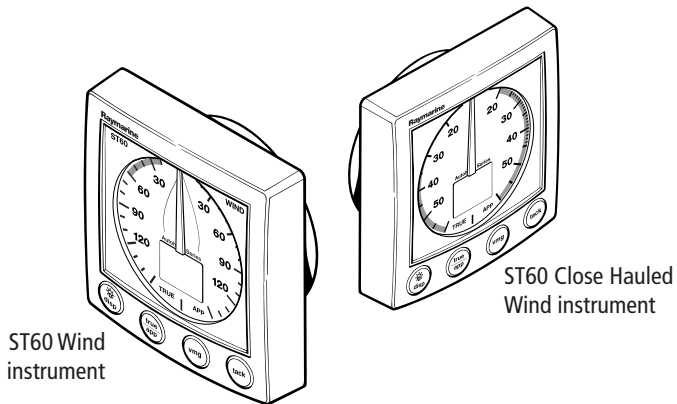
Thank you for purchasing a Raymarine product. We are sure your ST60 instrument will give you many years of trouble-free operation.

This handbook describes how to install and use the Raymarine ST60 Wind and ST60 Close Hauled Wind instruments. These give:

- True and Apparent wind direction and speed. Wind speed is displayed either in knots, meters per second or as Beaufort scale values.
- Velocity made good (VMG).
- Maximum wind speed.

In addition to this, ST60 Wind master instruments give:

- Maximum minimum true wind speed alarms.
- High and low apparent wind angle alarms.



The ST60 Wind and Close Hauled Wind instruments are constructed in rugged weather proofed cases. Each provides a sensitive and stable, combined analog and digital display, to deliver accurate information under even the most demanding conditions.

### ST60 Wind

The ST60 Wind instrument provides a 360° apparent wind scale and can be used either as a stand-alone unit, or as part of an integrated SeaTalk instrumentation system.

## ST60 Close Hauled Wind

The ST60 Close Hauled Wind instrument provides an expanded indication from  $-60^{\circ}$  to  $+60^{\circ}$  about the bow and stern of the boat, on a combined analog and digital display.

## Data inputs

### SeaTalk

SeaTalk enables a number of compatible instruments to operate as a single, integrated navigational system. Instruments in a SeaTalk system are linked by means of a single cable, which feeds both power and data. Instruments can therefore be added to the system by plugging them into the network. SeaTalk is flexible enough to adapt to any number of compatible instruments without requiring a central processor. SeaTalk can also communicate via an appropriate interface with non-SeaTalk equipment, using the internationally-accepted National Marine Electronics Association (NMEA) protocol.

In a SeaTalk system, each instrument can be either a master or dedicated repeater unit. A master instrument is directly connected to a transducer (the device that provides the raw data), and provides data and control for the service it is providing to all other equipment on the SeaTalk network. A slave instrument is not directly connected to a transducer but repeats information provided by other equipment in the SeaTalk network.

### Stand alone operation

In Stand alone operation, the ST60 Wind instrument is connected only to the relevant transducer and does not display information from, or provide information to, any other instruments.

**Note:** *The ST60 Close Hauled Wind instrument operates only as a SeaTalk repeater. It cannot be connected directly to a wind transducer.*

## Remote control

When connected to SeaTalk, the ST60 Wind and Close Hauled Wind instruments can be controlled remotely by a SeaTalk Remote Keypad Unit, to provide instant remote access to the various display readouts.

## Mounting options

If you do not want to surface mount your ST60 instrument, options are available for:

- Flush mounting. If you have ordered the flush mounting option a low-profile bezel and four fixing screws are also provided.
- Bracket mounting.

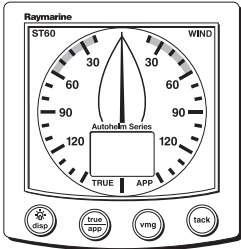
## Parts supplied

Unpack your ST60 instrument and check that the following items are present:

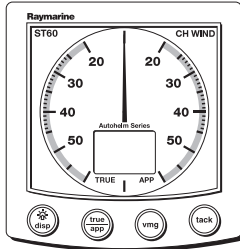
Either

- Item 1a, ST60 Wind instrument, fitted with standard bezel for surface mounting
- or
- Item 1b, ST60 Close Hauled Wind instrument, fitted with standard bezel for surface mounting.
- Item 2, Fixing studs (2).
- Item 3, Thumb nuts (2).
- Item 4, Gasket.
- Either
- Item 5a, Wind Vane (not with ST60 Close Hauled Wind)
- or
- Item 5b, Rotavecta (not with ST60 Close Hauled Wind).
- Item 6, SeaTalk interconnection cable.
- Item 7, Power cable (not with ST60 Close Hauled Wind).
- Item 8, Instrument Cover.
- Item 9, Junction Box (not with ST60 Close Hauled Wind).
- Item 10, Owner's Handbook. A Warranty document and fitting templates are included in this Handbook.
- Item 11, Cue Card.
- Spare spade terminals are also provided, to re-terminate transducer cables if they have to be cut to facilitate installation.

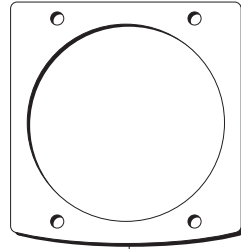
**Note:** *The above packing list is for an ST60 Wind system. Where an instrument is purchased separately, a transducer and junction box are not included.*



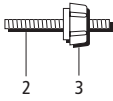
1a



1b



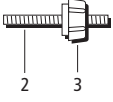
4



2



3



2



3

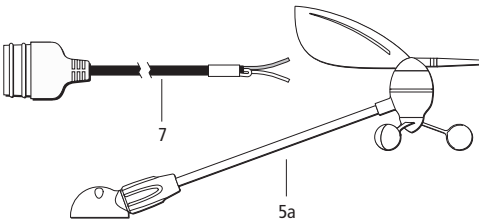


6

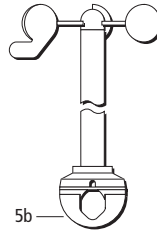


8

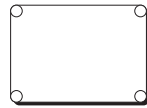
These items are not with ST60 Close Hauled Wind



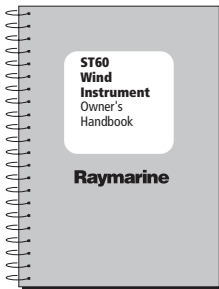
5a



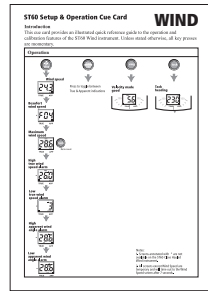
5b



9



10



11

# Chapter 1: Operation

## 1.1 Getting started

This handbook describes how to operate, maintain and install the Raymarine ST60 Wind instrument and ST60 Close Hauled Wind instrument. These instruments show:

- Wind speeds and directions
- Velocity Made Good (VMG) information, when boat-speed information is available,
- Tack angle, when heading information is available.

### **CAUTION: Calibration requirement**

**The ST60 Wind instrument and the ST60 Close Hauled Wind instrument are calibrated to factory (default) settings when first supplied. To ensure optimum performance on your boat, these products must be calibrated before use. Do NOT use either one of these products until it has been calibrated using the procedures in *Chapter 4, Calibration*.**

If the CAL legend on the digital display flashes for the first 30 seconds after any power up, use the appropriate procedures in *Chapter 4, Calibration* to:

1. Apply the factory defaults.
2. Carry out the linearization procedure.

## Displayed information

The information on the ST60 Wind and ST60 Close Hauled Wind instruments is presented by means of a pointer and a digital display. This information can be either true or apparent, depending on which mode is selected.

### **Pointer**

The pointer shows the true or apparent wind direction. The scale range given by the ST60 Wind instrument is a full 360°, whereas the ST60 Close Hauled Wind instrument gives an expanded indication from -60° to +60° about the bow or stern of the boat.

### Digital display

The digital display shows the following wind and speed information:

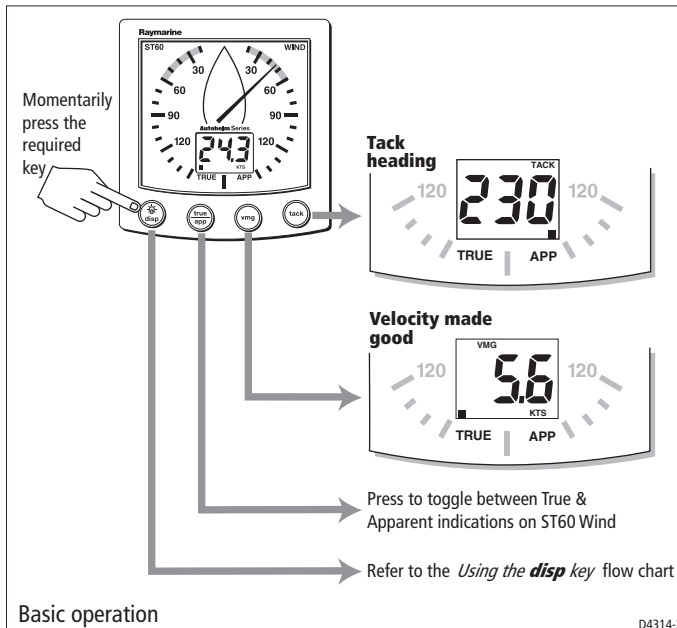
- True/apparent wind speed.
- Velocity made good (VMG).
- Tack heading.
- Maximum wind speed.
- Wind alarm data.

You can select which information is displayed. When power is first switched on, the digital display shows the same type of information as was selected when power was last turned off.

**Note:** The TRUE and APP indicators flash for 8 seconds after power is switched on. This is a function of the remote control system and can be ignored if remote control is not being used.

## 1.2 Normal operation

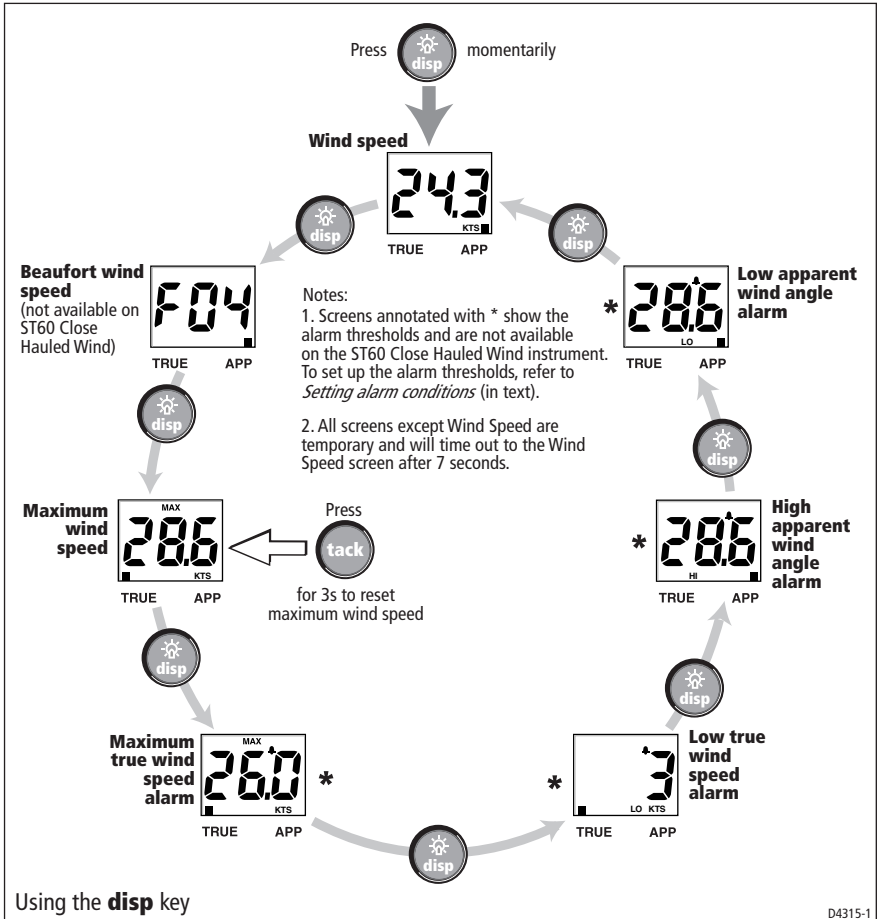
Use the *Basic operation* and *Using the disp key* flow charts in this Chapter, to operate your ST60 Wind and ST60 Close Hauled Wind instruments.



The flow charts show the sequence of key presses and displays for the various operating tasks. All key presses called for in the flow charts are momentary, unless otherwise stated.

The type of data displayed (true or apparent) is indicated by a square marker on the digital display adjacent to either the **TRUE** or **APP** legend, as appropriate.

**Note:** If boat speed information is not available on the SeaTalk bus when **TRUE** is selected, the digital display shows a series of dashes and the pointer will continue to show the apparent wind direction.



## True/Apparent

Press the **true/app** key to toggle between true and apparent instrument readings.

## VMG

Press the **vmg** key to show VMG information on the digital display. The pointer continues to show the wind direction (true or apparent as previously selected).

If boat speed information is not available on SeaTalk, the VMG cannot be computed, and the digital display shows a series of dashes.

## Tack

Press the **tack** key to show tack heading information on the digital display. The pointer continues to show the wind angle.

If the boat speed and heading are not available on SeaTalk, the tack heading cannot be computed, and the digital display shows a series of dashes.

## Alarms

An alarm condition is indicated by a flashing alarm icon on the digital display and an audible alarm at the instrument.

- When an alarm is sounding the instrument will continue to display live wind speed and angle.
- A wind speed alarm will cause the current speed unit legend ( KTS or M/S ) to flash.
- A flashing MAX legend indicates a high wind speed alarm.
- A flashing HI legend indicates a high wind angle alarm.
- A LO legend indicates either:
- A low wind speed alarm ( LO plus speed units displayed).
- A low wind angle alarm ( LO displayed).

## Canceling an alarm

Pressing any key will cancel the alarm. Pressing the key repeatedly will cancel any additional alarms.



## Setting alarm conditions

The alarm threshold screens are accessed with the **disp** key (see the *Using the disp key* flow chart), and enable you to switch alarms on or off and set the alarm thresholds. The alarm threshold screens are:

- Maximum true wind speed alarm.
- Low true wind speed alarm.
- High apparent wind angle alarm.
- Low apparent wind angle alarm.

To set up an alarm, carry out the *Switching alarms on and off*, and *Setting alarm threshold* procedures, as necessary.

## Switching alarms on and off

Use the **disp** key to display the required threshold screen, then press the **tack** key for approximately one-second, to toggle the alarm either on (i.e. so the alarm threshold value is displayed) or OFF, as required.

## Setting alarm thresholds

To set an alarm threshold:

1. Use the **disp** key to display the required threshold screen, then momentarily press the **vmg** and **tack** keys to enter the threshold adjust mode (indicated by the displayed value flashing).
2. Use the **vmg** (decrement) or **tack** (increment) key to set the required threshold value. You can set:
  - The maximum (MAX) and minimum (LO) true wind speed, to any value between 0 and 99 kts. Conflicting threshold values cannot be set, i.e. you cannot set the MAX threshold to a lower value than the LO.
  - High (HI) and low (LO) apparent wind angle, to any value from 0 to  $180^{\circ}$ .
3. Momentarily press the **vmg** and **tack** keys to leave the threshold adjust mode.

**Note:** *The alarm threshold screens are not available on repeater instruments so alarm thresholds can be set up only on master instruments.*

## 1.3 Display illumination

When the instrument is first powered up, the display illumination is set to its lowest (courtesy) level, to facilitate initial access to the keys.

To adjust the level of display illumination:

1. Hold down the **disp** key for approximately one second, to enter the illumination-adjust mode.
2. There are four preset illumination levels. Momentarily press the **disp** key to cycle through these levels until you reach the level you want.
3. Press any other key to leave the illumination-adjust mode.

**Note:** *The digital display will return to normal operation 7 seconds after the last key press.*

## 1.4 Remote control

When connected to SeaTalk, the ST60 Wind and Close Hauled Wind instruments can be controlled remotely with a SeaTalk Remote Keypad Unit. When any instrument on the SeaTalk bus is selected, the TRUE/APP indicators on the digital display will flash to indicate that the keypad has control.

Details on how to use the remote control facility can be found in the *SeaTalk Remote Keypad Owner's Handbook*.

# Chapter 2: Maintenance & Troubleshooting

## 2.1 Maintenance

### Servicing and safety

- Raymarine equipment should be serviced only by authorized Raymarine service technicians. They will ensure that service procedures and replacement parts used will not affect performance. There are no user serviceable parts in any Raymarine product.
- Some products generate high voltages, so never handle the cables/connectors when power is being supplied to the equipment.
- When powered up, all electrical equipment produces electromagnetic fields. These can cause adjacent pieces of electrical equipment to interact with one another, with a consequent adverse effect on operation. In order to minimize these effects and enable you to get the best possible performance from your Raymarine equipment, guidelines are given in the installation instructions, to enable you to ensure minimum interaction between different items of equipment, i.e. ensure optimum Electromagnetic Compatibility (EMC).
- Always report any EMC-related problem to your nearest Raymarine dealer. We use such information to improve our quality standards.
- In some installations, it may not be possible to prevent the equipment from being affected by external influences. In general this will not damage the equipment but it can lead to spurious resetting action, or momentarily may result in faulty operation.

### Instrument

Certain atmospheric conditions may cause condensation to form on the instrument window. This will not harm the instrument and can be cleared by increasing the illumination setting to Level 3.

Periodically clean your ST60 instrument with a soft damp cloth. Do NOT use chemical and abrasive materials to clean the instrument.

### Transducer

If the wind vane is removed from its base for any reason (e.g. if the mast is stepped), use the protective cap (attached) to protect the connector on the wind vane base.

## Cabling

Examine all cables for chafing or other damage to the outer shield and, where necessary, replace and re-secure.

## 2.2 Troubleshooting

### Preliminary procedures

Changes in the electronic environment may adversely affect the operation of your ST60 equipment. Typical examples of such changes are:

- Electrical equipment has recently been installed or moved aboard your vessel.
- You are in the vicinity of another vessel or shore station emitting radio signals.

If you appear to have a problem, first ensure that the EMC requirements (see *Chapter 3, Installation*) are still being met before further investigating the problem.

### Fixing faults

All Raymarine products are subjected to comprehensive test and quality assurance programmes prior to packing and shipping. However, if a fault occurs, the following table may help to identify and rectify the problem.

<b>Fault</b>	<b>Cause</b>	<b>Remedy</b>
Display blank	No power supply	Check power supply. Check SeaTalk cabling and connector security. Check fuse/circuit breaker.
No transfer of information between SeaTalk instruments. (e.g. illumination levels).	SeaTalk cabling fault	Check security of SeaTalk connectors. Check condition of SeaTalk cables. Isolate faulty instrument by disconnecting instruments one by one.

## Technical support

Raymarine provides a comprehensive customer support service, on the world wide web and by telephone help line. Please use either of these facilities if you are unable to rectify a problem.

### World wide web

Please visit the Customer Support area of our web site at:

- [www.raymarine.com](http://www.raymarine.com)

As well as providing a comprehensive Frequently Asked Questions section and servicing information, the web site gives e-mail access to the Raymarine Technical Support Department and a details of the locations of Raymarine agents, worldwide.

### Telephone help line

If you do not have access to the world wide web, please call our help line.

**In the USA**, call:

- +1 800 539 5539, extension 2444 or
- +1 603 881 5200 extension 2444

**In the UK, Europe the Middle East or the Far East**, call:

- +44 (0) 23 9271 4713 (voice)
- +44 (0) 23 9266 1228 (fax)

### Help us to help you

When requesting service, please quote the following product information:

- Equipment type.
- Model number.
- Serial number.
- Software issue number.

The Software issue number can be ascertained by means of the Intermediate Calibration facility, see *Chapter 4, Calibration*.



## Chapter 3: Installation

This chapter describes how to install the ST60 Wind and ST60 Close Hauled Wind instruments, and associated wind transducer.

You can use any one of three Raymarine wind transducer types in conjunction with the ST60 Wind instruments:

- Cruiser wind vane (short arm). Typically mounted on a mast head.
- Competition wind vane (long arm). Typically mounted on a mast head.
- Rotavecta. Typically mounted on a rail or radar arch.

The transducer is connected to the rear of the instrument.

**Note:** *The ST60 Close Hauled Wind instrument does not connect directly to a wind transducer.*

For advice, or further information regarding the installation of this equipment, please contact the Raymarine Product Support Department or your own National Distributor.

### 3.1 Planning your installation

Before starting the installation, spend some time considering the best positions for both transducer and instrument, such that the *Site requirements* and the *EMC installation guidelines* are satisfied.

#### Site requirements

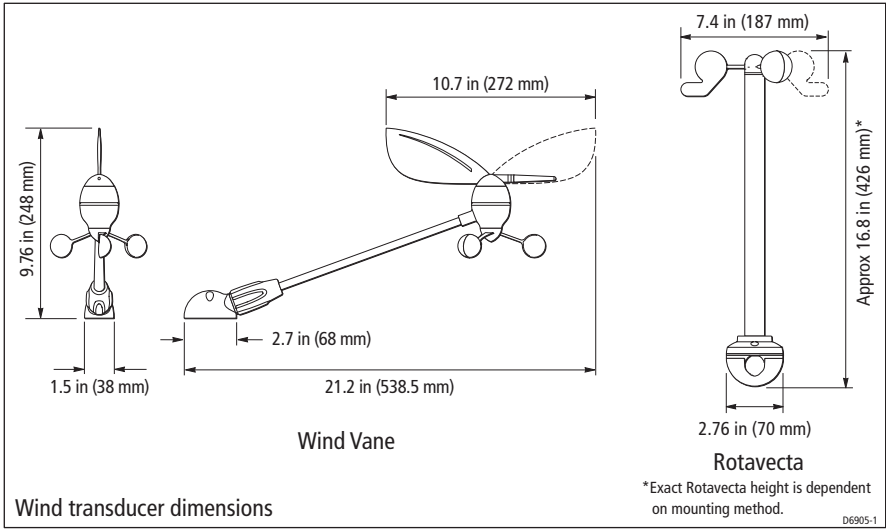
##### Transducers

Each transducer type has a cable connected, and is supplied with a junction box and a set of spade terminals.

The transducer location must:

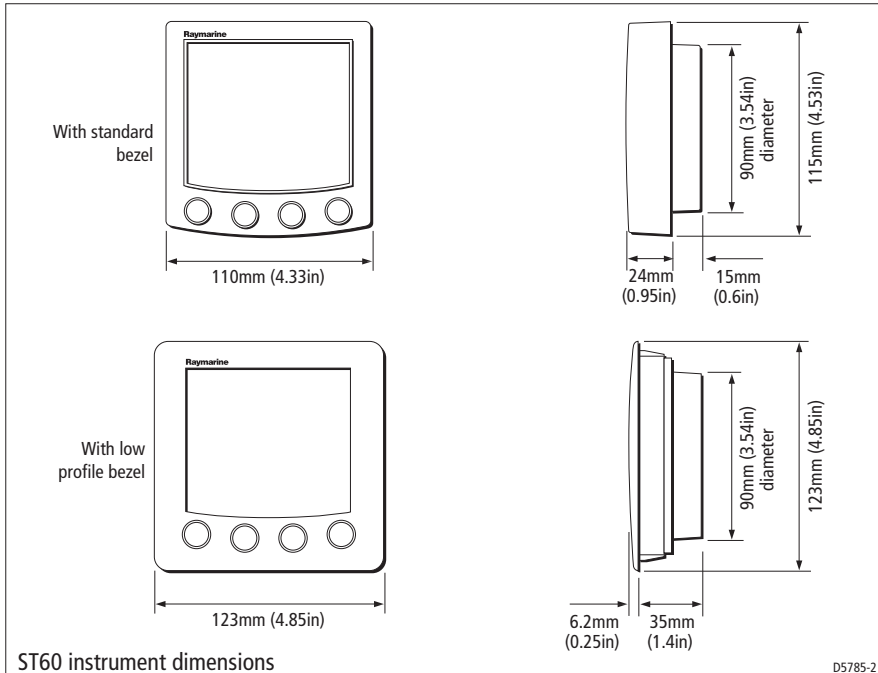
- Allow reasonable access for installation and servicing.
- Be as high as possible and away from any equipment which may shield the transducer or otherwise disturb the air flow.
- Provide a horizontal mounting surface. If a surface (e.g. mast top) is otherwise suitable but not horizontal, make up a suitable wedged packing piece to provide the necessary horizontal surface.

There must also be a viable route for the transducer cable to be routed to the instrument.



Wind transducer dimensions

**Instrument**





**CAUTION:**

**The presence of moisture at the rear of the instrument could cause damage either by entering the instrument through the breathing hole or by coming into contact with the electrical connectors.**

ST60 instruments can be fitted either above or below deck, provided the rear of the instrument is sited where it is protected from contact with water.

Each instrument must also be positioned where:

- It is easily read by the helmsman
- It is protected against physical damage
- It is at least 9 in (230 mm) from a compass
- It is at least 20 in (500 mm) from radio receiving equipment
- There is reasonable rear access for installation and servicing

## EMC installation guidelines

All Raymarine equipment and accessories are designed to the best industry standards for use in the recreational marine environment.

Their design and manufacture conforms to the appropriate Electromagnetic Compatibility (EMC) standards, but correct installation is required to ensure that performance is not compromised. Although every effort has been taken to ensure that they will perform under all conditions, it is important to understand what factors could affect the operation of the product.

The guidelines given here describe the conditions for optimum EMC performance, but it is recognized that it may not be possible to meet all of these conditions in all situations. To ensure the best possible conditions for EMC performance within the constraints imposed by any location, always ensure the maximum separation possible between different items of electrical equipment.

For **optimum** EMC performance, it is recommended that **wherever possible:**

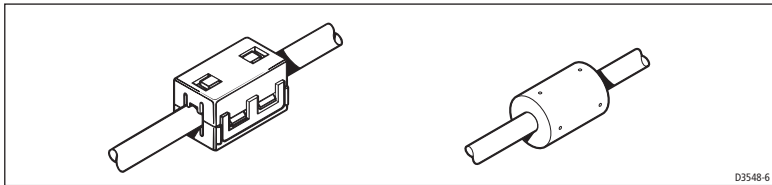
- Raymarine equipment and cables connected to it are:
  - At least 3 ft (1 m) from any equipment transmitting or cables carrying radio signals e.g. VHF radios, cables and antennas. In the case of SSB radios, the distance should be increased to 7 ft (2 m).
  - More than 7 ft (2 m) from the path of a radar beam. A radar beam can normally be assumed to spread 20 degrees above and below the radiating element.
- The equipment is supplied from a separate battery from that used for engine start. Voltage drops below 10 V in the power supply to our products, and starter motor transients, can cause the equipment to reset. This will not dam-

age the equipment, but may cause the loss of some information and may change the operating mode.

- Raymarine specified cables are used. Cutting and rejoining these cables can compromise EMC performance and must be avoided unless doing so is detailed in the installation manual.
- If a suppression ferrite is attached to a cable, this ferrite should not be removed. If the ferrite needs to be removed during installation it must be reassembled in the same position.

## Suppression Ferrites

The following illustration shows typical cable suppression ferrites used with Raymarine equipment. Always use the ferrites supplied by Raymarine.



## Connections to Other Equipment

If your Raymarine equipment is to be connected to other equipment using a cable not supplied by Raymarine, a suppression ferrite **MUST** always be attached to the cable near the Raymarine unit.

## 3.2 Procedure

As it is not possible to describe procedures for all possible installation scenarios, the procedures given here describe the broad requirements for installing wind transducers and ST60 Wind instruments. Adapt these procedures as appropriate, to suit your individual requirement.

### CAUTION:

**Where it is necessary to cut holes (e.g. for cable routing and instrument mounting), ensure that these will not cause a hazard by weakening critical parts of the vessel's structure.**

## Unpacking

Unpack your ST60 instrument and check that the items described in the *Preface* are present:

Each ST60 instrument is supplied with a standard bezel for surface mounting. Optional mounting kits are available for flush mounting and bracket mounting the instrument. If you have ordered the flush mounting option a low-profile bezel and four fixing screws are also provided.

### Fitting the instruments

The ST60 Wind and ST60 Close Hauled Wind instruments can be installed using one of a number of different mounting options:

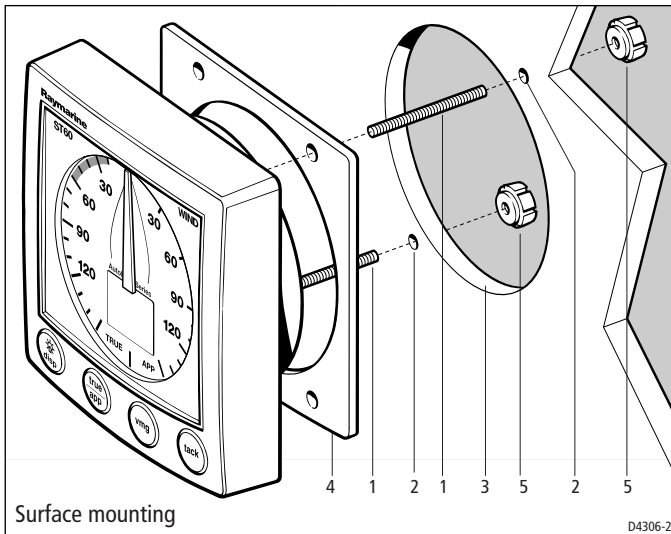
- Surface mounting. Gives a profile of approximately 0.95 in (24 mm).
- Flush mounting. Gives a profile of approximately 0.25 in (6 mm).
- Bracket mounting.

The ST60 instruments can also be mounted behind a panel with just the instrument dial and keys visible.

### Surface mounting

To surface mount your ST60 instrument (see the *Surface mounting* illustration):

1. Ensure that:
  - The selected location is clean, smooth and flat.
  - There is sufficient space behind the location to accommodate the rear of the instrument and connectors.



2. Apply the surface mount template (supplied at the rear of this handbook) to the selected location and mark the centers for the fixing studs (1) and the aperture (3) that will take the rear casing of the instrument.
3. Drill out the two 0.2 in (5 mm) fixing stud clearance holes (2).
4. Cut out the clearance hole (3) then remove the template.
5. Peel off the protective sheet from the self-adhesive gasket (4) then stick the gasket into position on the rear of the instrument.
6. Screw the two fixing studs into the threaded sockets on the rear of the instrument.
7. Mount the assembled instrument, studs, bezel and gasket into the panel. Secure from behind with the thumb nuts (5).

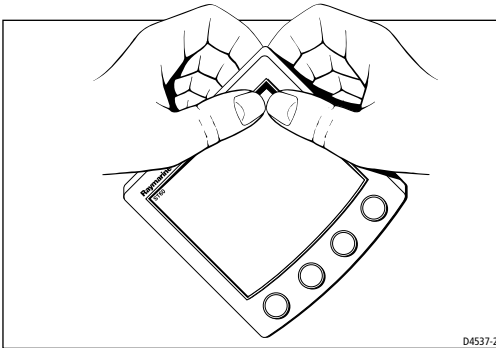
## Flush mounting

The Flush Mounting Kit uses a low-profile bezel to reduce the fitted profile of the instrument, to approximately 0.25 in (6 mm) above the panel fascia.

### Fitting the low-profile bezel

In order to flush-mount your ST60 instrument, you must first replace the standard bezel with the low-profile bezel as follows:

1. Hold the instrument in both hands with the display towards you.



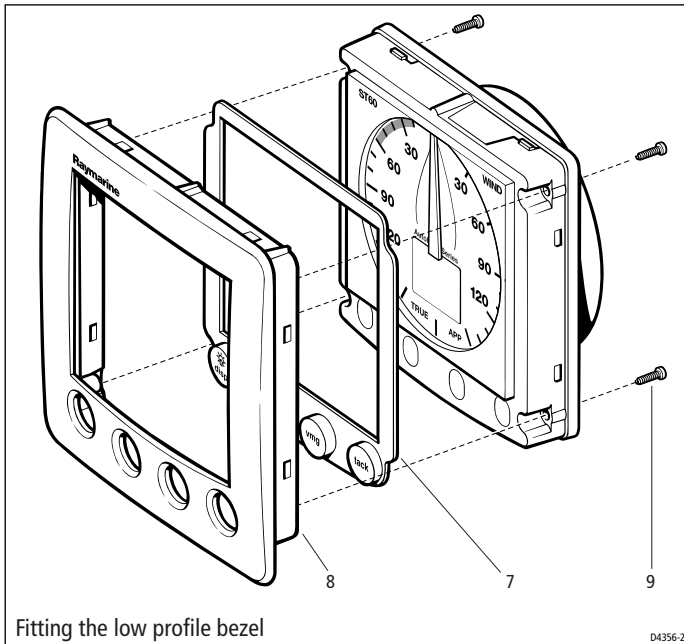
2. Using both thumbs, gently press an upper corner of the instrument from the bezel, then remove the bezel from the instrument. Retain the rubber keypad which is released when the bezel is removed.
3. Place the instrument face upwards on a flat surface and place the rubber keypad (7) in position around the display window (i.e. so that each key outline is located over its associated key on the instrument).

4. Snap the low-profile bezel (8) in position over the instrument, so that the rubber keys are correctly located in the holes on the bezel.

**CAUTION:**

**It is essential that only screws of the correct size are used to secure the instrument to the bezel. Failure to observe this caution could result in damage to both the instrument and the bezel.**

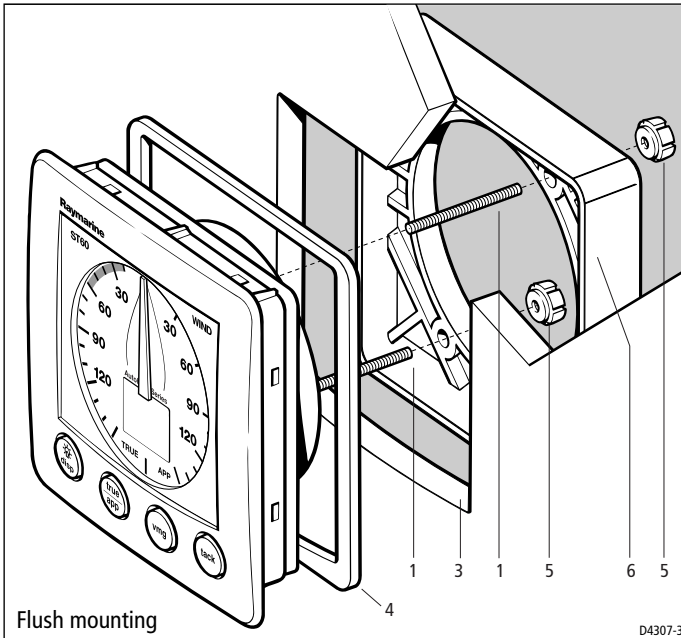
5. Using the four, self-tapping screws (9) provided, secure the instrument and bezel together. Fit the screws from the rear of the instrument and tighten them sufficiently to secure the instrument and bezel together. **DO NOT OVERTIGHTEN.**

**Flush mounting procedure**

Flush mount your instrument (see the *Flush mounting* illustration) as follows:

1. Assemble the ST60 instrument and low-profile bezel as described under *Fitting the low-profile bezel*.
2. Ensure that:
  - The panel on which you intend to mount the instrument is between 0.12 in (3 mm) and 0.78 in (20 mm) thickness.
  - The selected location is clean, smooth and flat.

- There is sufficient space behind the location to accommodate the rear of the instrument and connectors.
3. Apply the flush mount template (supplied at the rear of this handbook) to the selected location and mark out the aperture into which the assembled instrument and bezel will sit.
  4. Cut out the aperture (3) for the assembled instrument and bezel and remove the template.
  5. Peel off the protective sheet from the self-adhesive gasket (4) then stick the gasket into position on the rear of the bezel.



6. Screw the two fixing studs (1) into the threaded sockets on the rear of the instrument.
7. Mount the assembled instrument, studs, bezel and gasket into the panel.
8. Locate the flush mount bracket (6) onto the fixing studs and secure the assembly to the panel with the thumb-nuts (5).

## Bracket Mounting

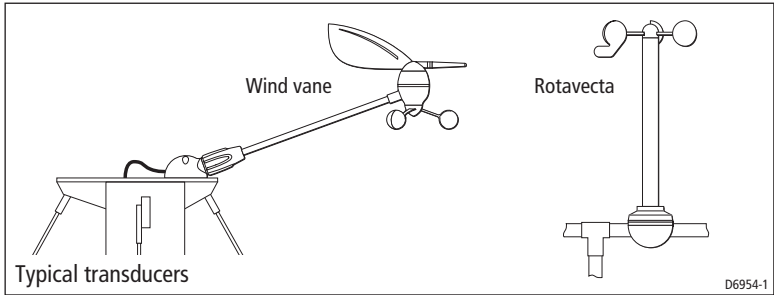
A Control Unit Mounting Bracket (Part No. E25009) enables you to mount your ST60 instrument in locations where other forms of mounting are impractical.

Although this provides a useful alternative method for securing your instrument, it is only suitable for use in positions where the instrument will not be exposed to water.

To bracket mount your ST60 instrument, do so in accordance with the Control Unit Mounting Bracket Instruction Sheet.

### Fitting transducers

If you are fitting an ST60 Wind instrument and wish to use it as a master instrument, you must also fit a wind transducer.

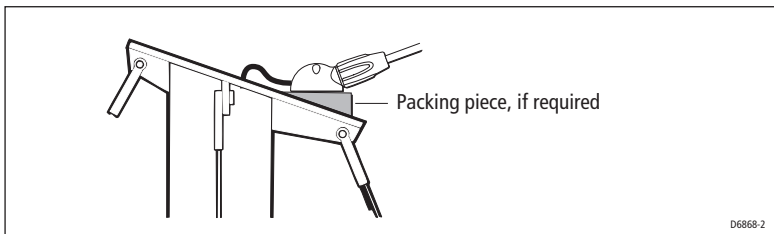


**Note:** An ST60 Close Hauled Wind instrument can only be used as a repeater instrument, so a directly-connected transducer is not required.

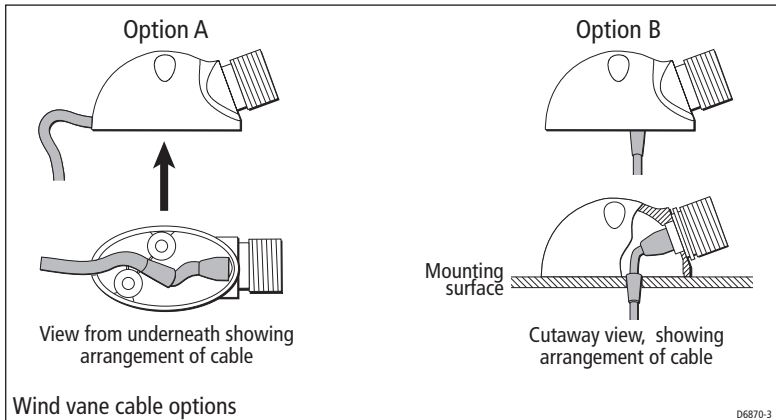
### Typical windvane installation

**Note:** Do NOT remove the connector cap from the wind vane base connector, until you are ready to fit the wind vane arm.

The wind vane base must be horizontal. If necessary, make up a suitable packing piece to provide a horizontal mounting surface.



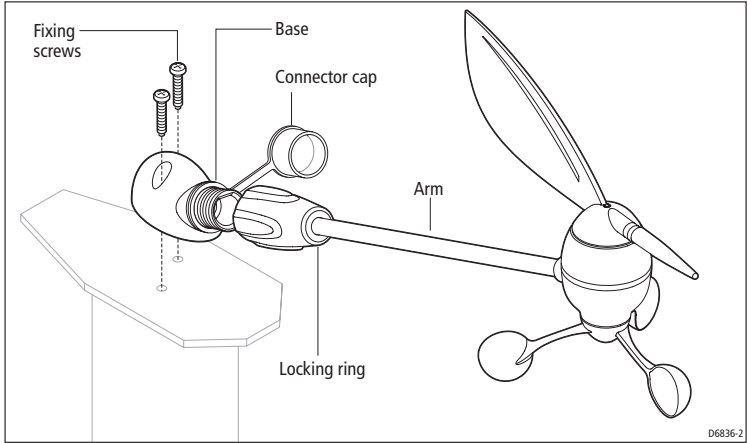
You can fit your wind vane so the cable leaves the wind vane base either from the rear (option A), or from underneath (option B).



A wind vane is typically mounted on a mast top, as follows:

1. Mark the mounting surface for drilling. The recommended method for doing this depends on which cable option you intend to use:
  - For cable option A, place the wind vane base in the intended position, with the front end facing forwards, and mark the position of the two fixing screw holes.
  - For cable option B, use the template at the rear of this handbook, to mark the position of the two fixing screw holes and the cable hole.
2. Drill the mounting surface for the cable option you intend to use:
  - For cable option A, drill a 4 mm hole at each of the marked locations for the fixing screw holes.
  - For cable option B, drill a 4 mm hole at each of the marked locations for the fixing screw holes and an 8 mm hole at the marked location for the cable.
3. Referring to the *Wind vane cable options* illustration, route the cable correctly for the option you are using, then secure the wind vane base, using the two self-tapping fixing screws.
4. Insert the wind vane arm into the wind vane base connector and tighten the locking ring securely by hand.

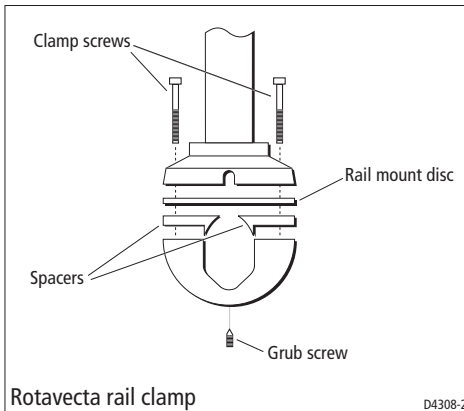




### Rotavecta

The Rotavecta can be clamped to a 0.9 in (23 mm) or a 1 in (25 mm) rail by means of an integral clamp. To fit a Rotavecta:

1. Dismantle the integral clamp, and ensure the pointed end of the grub screw does not protrude through the top of the lower clamp section.
2. If the rail is 1 in (25 mm) diameter, set aside the two spacers. If the rail is between 0.9 in (23 mm) and 1 in (25 mm) diameter, place the spacers in the lower part of the clamp.



3. Offer up the lower part of the clamp (and spacers if used) underneath the rail.
4. Place the rail mount disc on the upper side of the rail and place the upper part of the Rotavecta on top of this, so that all the screw holes are in alignment.

5. Secure all sections together using the two fixing screws, but do not fully tighten at this stage.
6. Ensure the main shaft of the Rotavecta is vertical, then tighten the two fixing screws.
7. Screw in the grub screw, to pinch the rail.

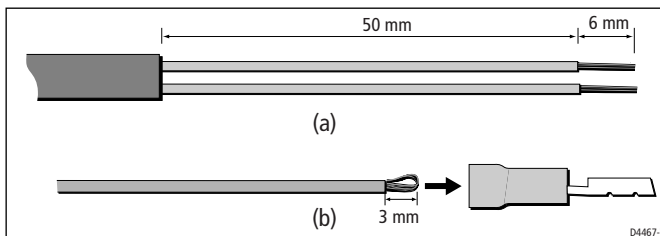
## Running transducer cable

### General

Each transducer type is supplied with sufficient cable already connected, to run from the mounted position to the ST60 Wind instrument. The manner in which you run the cable will depend on the locations of the transducer and instrument.

Observing the following guidelines, run the transducer cable to the instrument:

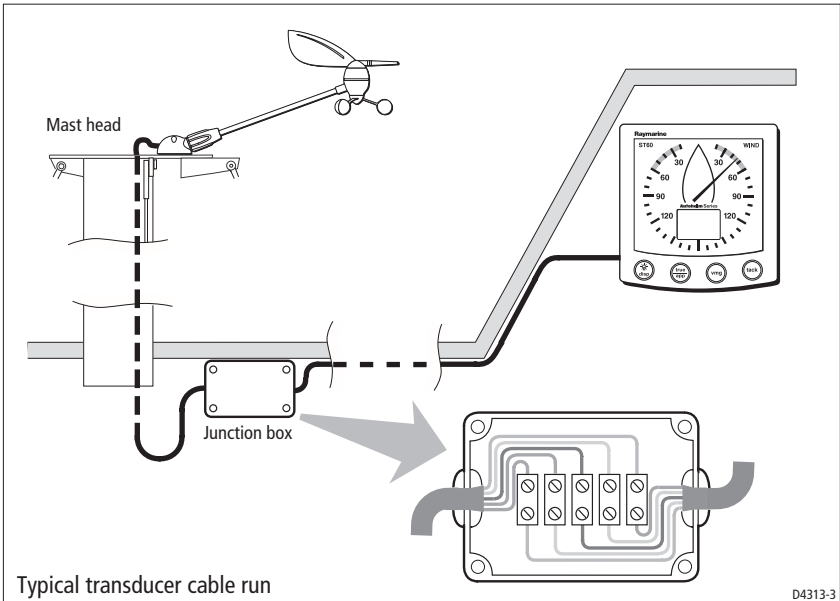
- If the cable has to be fed through the deck, always use a proprietary deck gland.
- Where cables are fed through holes, always use grommets to prevent chafing.
- Secure long cable runs so they do not present a hazard.
- If the transducer is mounted on a masthead or other structure likely to be removed for maintenance or storage purposes (e.g. a mast), always incorporate a junction box into the cable run as close as possible to the cable entry point into the vessel, to facilitate disconnection when required.
- Although the transducer cable is fitted with spade connectors for direct connection to the rear of the instrument, it may be necessary to remove these to facilitate installation, e.g. if the cable has to be routed through narrow apertures. Extra spade connectors are provided, to replace any that are removed when running the cable. When fitting spade connectors, prepare the cable as at (a) in the following illustration, then fold back the wire strands and insert into the spade connector as at (b). Ensure the wire strands do not extend beyond the rear of the spade connector insulation, then crimp the connector to the wire.



**From masthead**

If the transducer is fitted on a masthead:

1. Remove the spade connectors from the free end of the cable, then feed the free end of the cable down inside the mast.
  - If the mast is a through-deck mast, feed the cable out through a suitable below-decks aperture.
  - If the mast is deck stepped, feed the cable through the deck, using a proprietary deck gland.
2. Fit the junction box inside the vessel, close to the cable entry point.
3. Run the cable to the junction box, then allowing sufficient cable to connect inside the junction box, cut the cable and connect each wire at the free end of the cable from the transducer, to a separate connector inside the junction box.
4. Connect each wire at one end of the remaining cable to the same-colored wire inside the junction box.
5. Run the cable from the junction box to the ST60 Wind instrument.
6. Crimp new spade connectors onto the wires at the instrument end of the cable, as described above.



## Connecting the instruments

### Types of connection

The ST60 Wind instrument and the ST60 Close Hauled Wind instrument can each be connected to SeaTalk, as repeater instruments.

The ST60 Wind instrument, can also be connected:

- As a stand-alone instrument connected directly to the wind transducer.
- To fulfil both repeater and master roles by being connected both to the transducer and to SeaTalk.

Instruments connected to SeaTalk derive their power directly from SeaTalk and no separate power connection is necessary. Where a SeaTalk system includes an autopilot, the power for the system is provided by the autopilot.

A range of Raymarine SeaTalk extension cables is available to connect separated instruments. These cables are supplied with a SeaTalk connector fitted to each end. A junction box can be used to join cables.

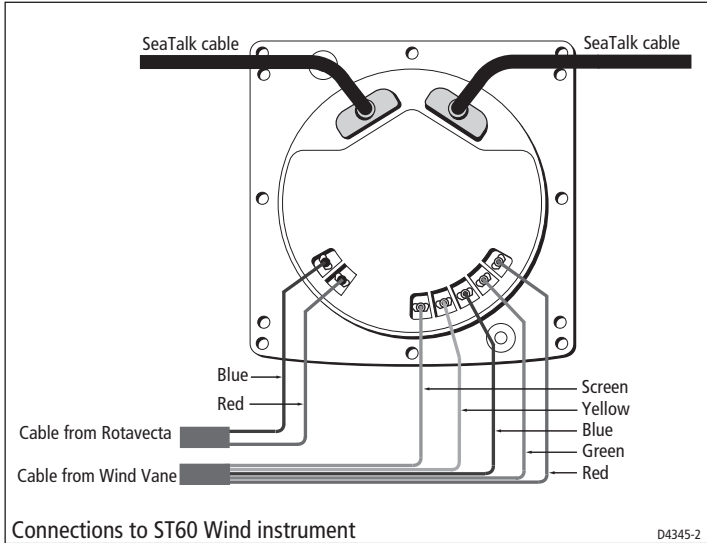
### Signal connections

Make the necessary connections to your ST60 instrument (see the *Connection to ST60 Wind instrument* illustration). Although all possible connections are shown:

- You can connect only one transducer type (either Rotavecta or Wind Vane), to an ST60 Wind instrument. Do NOT attempt to connect both types, even if both are fitted.

**Note:** *If at any time, the transducer type is changed (e.g. a Wind Vane is connected in place of a Rotavecta), use the procedures in Chapter 4, Calibration to apply the factory default settings, then carry out the linearization and alignment procedures.*

- The ST60 Close Hauled Wind instrument can only be connected to SeaTalk; it does not have transducer connectors.



## Power supply connections

### SeaTalk systems

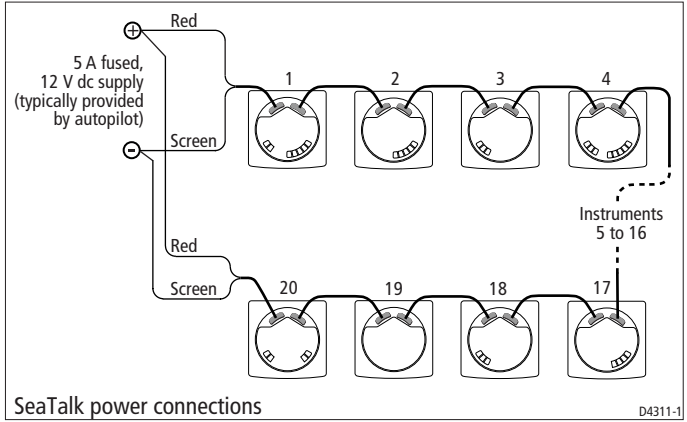
**CAUTION:**

**When instruments are connected to SeaTalk, ensure that the power supply for the SeaTalk 12 V line is protected by a 5 A fuse.**

Systems with a large number of instruments on the SeaTalk bus may require connections to the power supply from each end of the system ('ring-main' style), to maintain sufficient voltage throughout the system.

This requirement depends on the total length of the cable run and the total number of instruments in the system, as follows:

Cable run	No. of instruments	Power connections
Up to 10 m	13 maximum	1
	26 maximum	2
Up to 20 m	7 maximum	1
	13 maximum	2

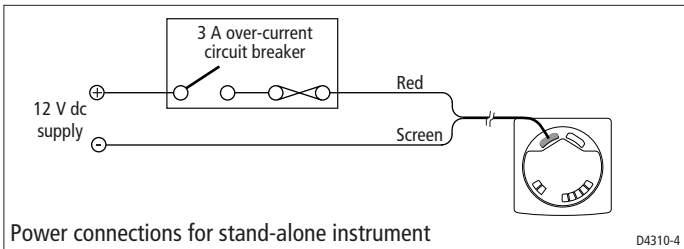


**Stand alone instruments**

Stand-alone instruments are not connected to SeaTalk and therefore need to be connected to an alternative 12 V power source. Power cables are available in 2 m and 9 m lengths.

To fit a power cable:

1. Ensure the intended power source is switched off.
2. Run the power cable from the instrument to a suitable 12 V dc power source.
3. If the cable has not already been trimmed at the power supply end:
  - i. Cut the cable to length and trim back an appropriate amount of the outer sheath.
  - ii. Cut back and insulate the yellow wire.
4. Connect the screen to the power supply 0 V terminal.
5. Connect the red wire via a 3 A circuit breaker to the power supply +12 V terminal.
6. Insert the power cable connector into one of the SeaTalk connectors at the rear of the instrument.



# Chapter 4: Calibration

## 4.1 Introduction

The ST60 Wind instruments are set up with factory-programmed default settings, so in order to optimize the performance of the instruments on board a particular vessel, the procedures in this Chapter must be carried out immediately after the completion of installation, and before the equipment is used for navigational purposes.

Where practicable, the calibration procedures are presented diagrammatically to show the sequence of key presses and the resulting displays. Adjustment instructions are given as applicable.

### EMC conformance

- Always check the installation before going to sea to make sure that it is not affected by radio transmissions, engine starting etc.
- In some installations, it may not be possible to prevent the equipment from being affected by external influences. Although this will not damage the equipment, it can lead to spurious resetting action, or momentarily may result in faulty operation.

## 4.2 User calibration

The User calibration procedures:

- Linearize and align the wind transducer.
- Select the required wind speed units

### Linearizing and aligning the wind transducer

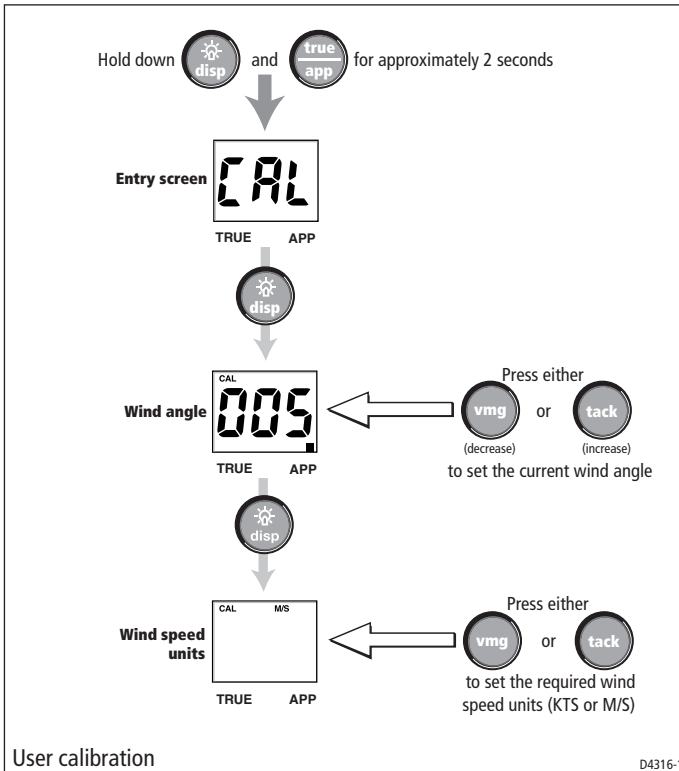
This procedure ensures that the sensors in the windvane transducer are correctly calibrated to record rotation of the windvane, then compensates for any small errors which may exist in the alignment of the wind transducer.

To do this:

1. Power-up the ST60 Wind instrument.
2. Slowly turn the vessel through two complete circles. This procedure automatically linearizes the windvane. A successful linearization is indicated by the digital display flashing and the buzzer sounding three beeps.

3. Hold down the **disp** and **true/app** keys for approximately 2 seconds to enter User calibration then use the **disp** key to select the wind angle screen (see the *User calibration* flow diagram).
4. Sail directly into the wind and adjust the analog pointer to zero, using the **vmg** and **tack** keys. If you are unable to achieve the required degree of accuracy due to sea conditions, and errors become apparent during subsequent tack operations, repeat this procedure to achieve alignment accuracy.
5. Display the wind speed units screen.
6. Use the **vmg** and **tack** keys to select the units you want, either knots (KTS) or meters per second (M/S).

**Note:** Any speed unit changes will be applied to other SeaTalk instruments.



### Leaving User calibration

Hold down the **disp** and **true/app** keys for 2 seconds to save your settings, exit User calibration and resume normal operation.

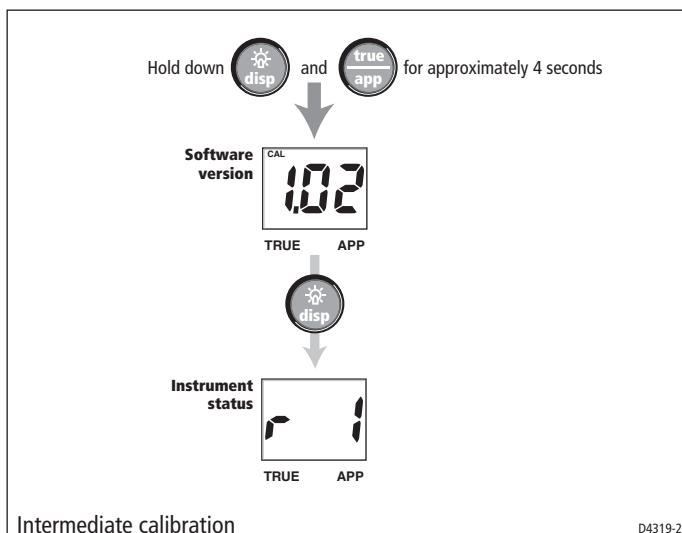


### 4.3 Intermediate calibration

The intermediate calibration screens enable you to check:

- The instrument software version number. This information is normally required if you request parts or repairs.
- The instrument status - either r0 (master) or r1 (repeater).

To use the Intermediate calibration screens, hold down the **disp** and **true/app** keys for approximately 4 seconds.



### Leaving Intermediate calibration

Hold down the **disp** and **true/app** keys for 2 seconds to exit Intermediate calibration and resume normal operation.

### 4.4 Dealer calibration

The Dealer calibration procedures enable the following parameters to be set:

- User calibration on/off.
- Wind angle and speed response.
- Velocity Made Good (VMG) response.
- Wind speed calibration.
- Boat show mode on/off.

Dealer calibration also gives access to the Factory defaults screen. This enables you to re-apply the factory settings if you want to reset the instrument to a known operating condition.

To commence Dealer calibration, hold down the **disp** and **true/app** keys together for approximately 12 seconds, to select the Dealer calibration entry page (see Dealer calibration diagram, sheets 1 and 2). Then momentarily press the **vmg** and **tack** keys to proceed with the calibration. As the calibration progresses, use the **disp** key to move from screen to screen.

## User calibration on/off

Use either the **vmg** or **tack** key to toggle the User calibration either on (UC1) or off (UC0) as required.

## Response settings

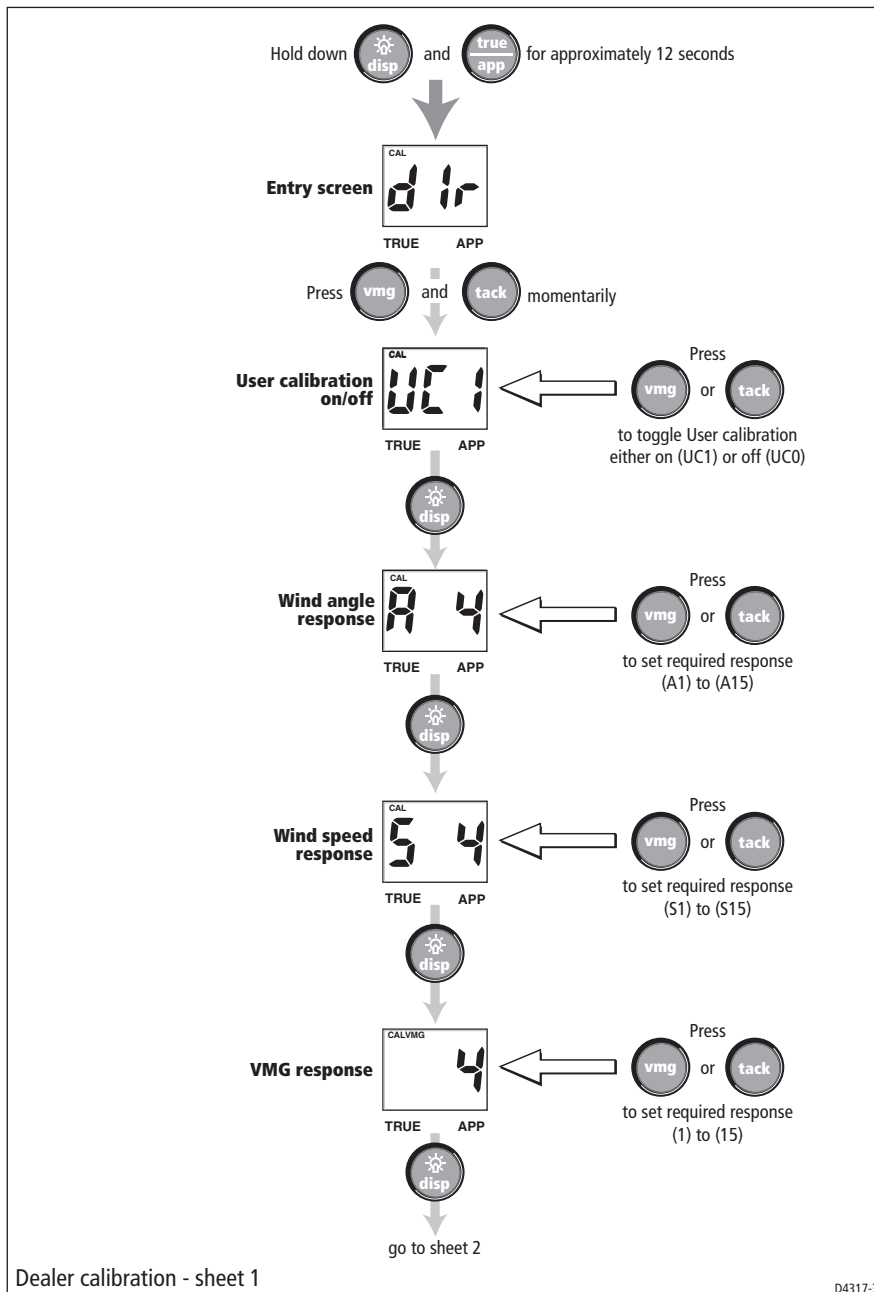
The response values (for wind speed, wind angle and VMG) determine the frequency at which information is updated. A low number provides a smooth response and a high number a much livelier response with rapid pointer movement.

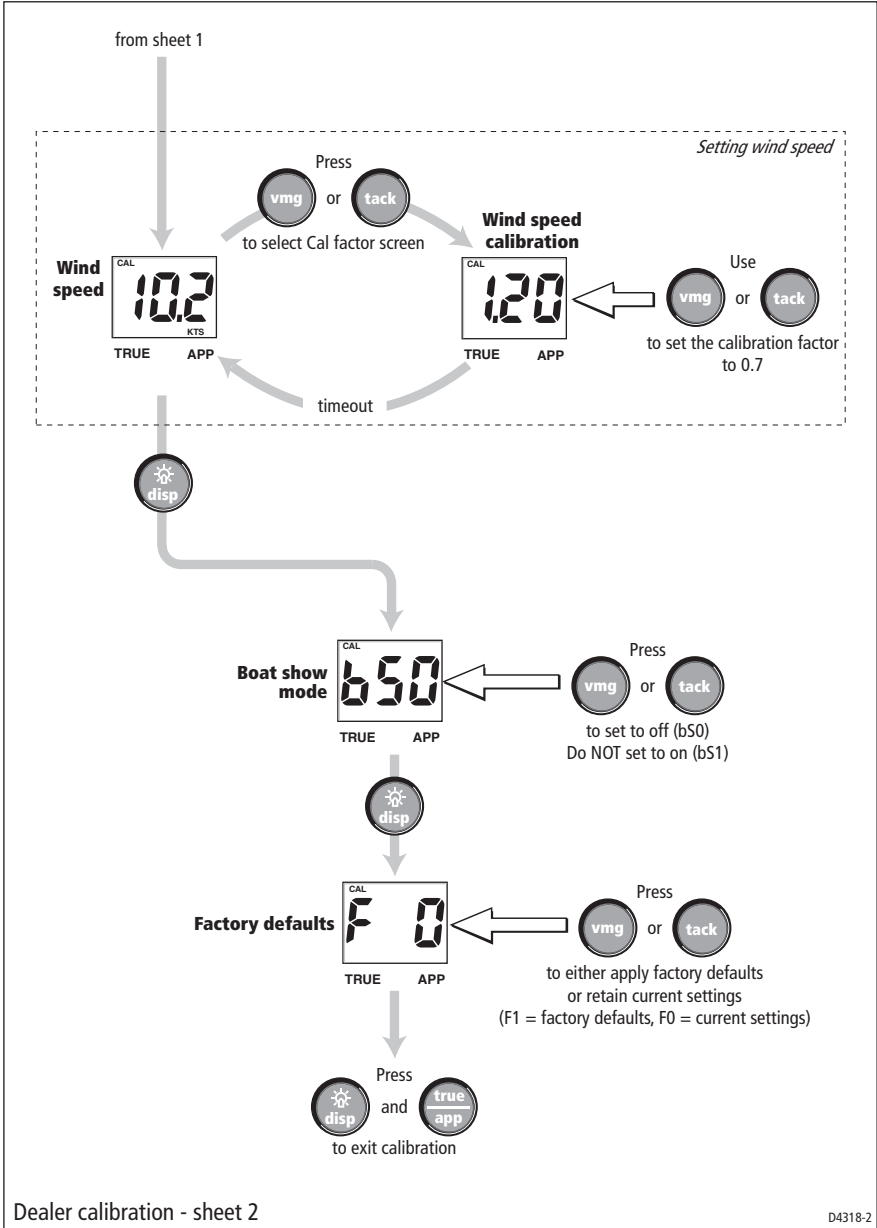
Use the **vmg** (decrement) and **tack** (increment) keys to set the required value. Response values are from 1 to 15 .

## Wind speed

The Wind speed and Wind speed calibration screens are used to set the correct value for the wind speed. On entry (from the Wind speed response screen), the current value for apparent wind speed is displayed. Set the correct wind speed value, by applying a calibration factor as follows:

1. Use the **vmg** (decrement) and **tack** (increment) keys to switch from the Wind Speed screen to the Wind Speed Calibration screen.
2. Use the **vmg** (decrement) or **tack** (increment) key to set the wind speed calibration factor to 0.7.
3. Timeout to the Wind Speed screen, and if further adjustment is necessary, repeat steps 1 and 2.





## Boat show mode

### CAUTION:

**Do NOT enable this mode. It must only be used for demonstration purposes.**

Ensure that the Boatshow Mode Use is set to b50 (disabled). If necessary, press either the **vmg** key or the **tack** key to achieve this.

## Factory defaults

You can use this screen to reset the operating parameters to the factory default values. Use the **vmg** and **tack** keys to make the required selection.

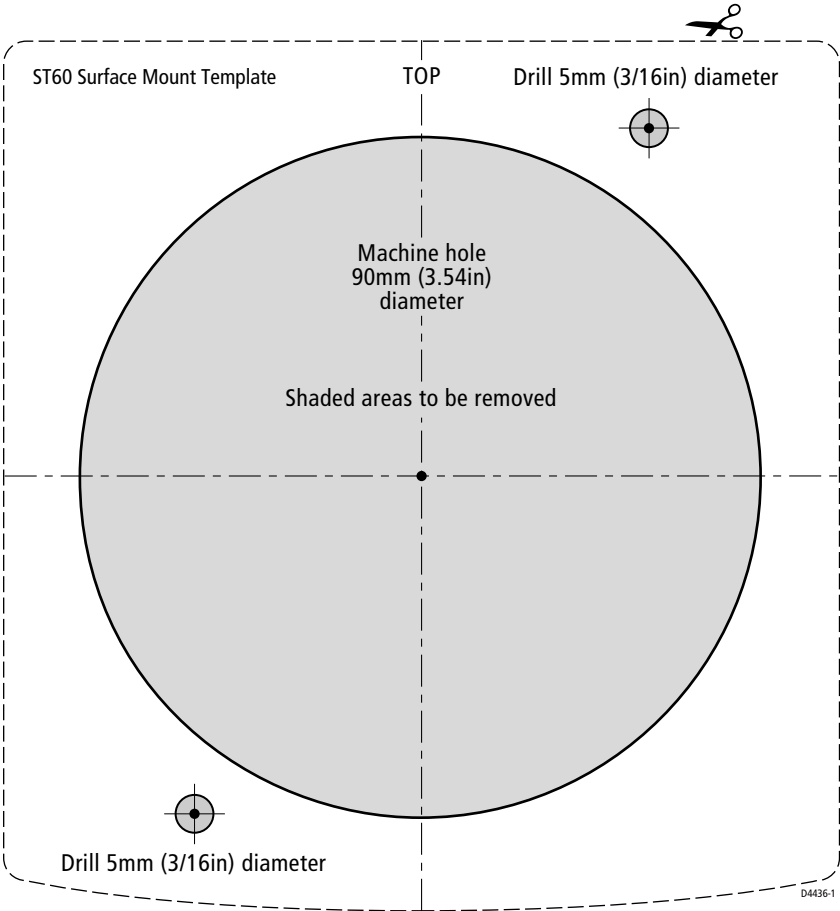
Note that the selection you make at this screen will be applied when you exit the screen, so be sure you make the correct selection.

If you want to apply the factory defaults, ensure the display shows F1 , but **if you want to retain the current values, ensure that the display shows F0** .

## Leaving Dealer calibration

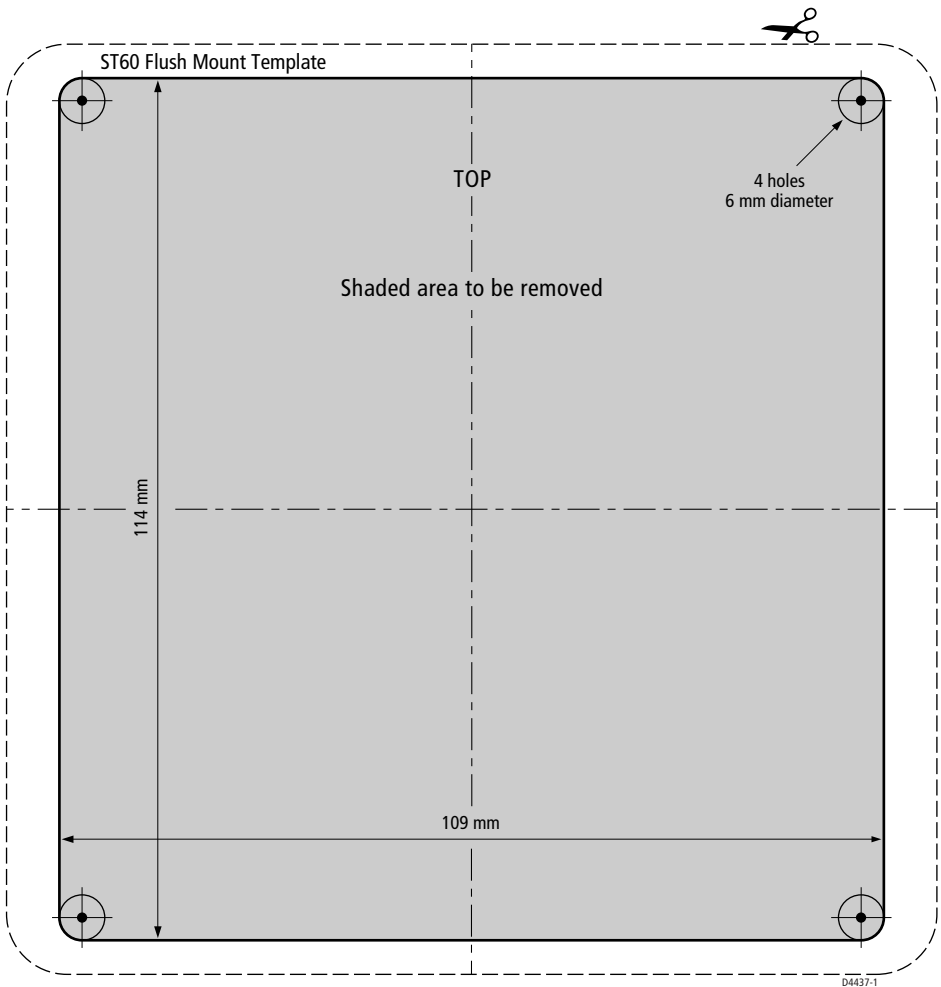
Hold down the **disp** and **true/app.** keys for 2 seconds to save your changes, exit Dealer calibration and resume normal operation.



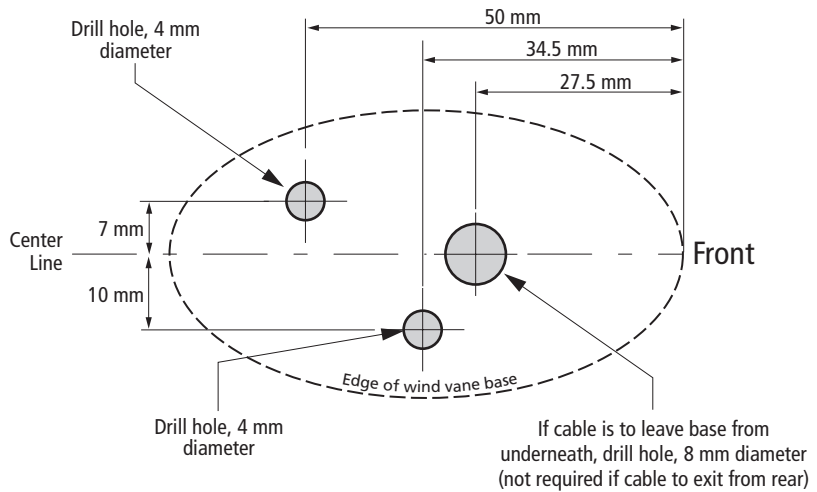












Wind vane drilling template  
D6955-1

